


## ACA and ACZ series

- high weighing accuracy
- very good indication readability
- indication backlight
- automatic internal calibration (ACA)
- RS232C and USB interface for printer, computer, label printer and barcode reader



Laboratory balances ACA and ACZ series are designed for use in laboratories, pharmacies, jewelry and research institutes where high accuracy of measurement is required.

 external calibration	 products database	 unit selection	 animals weighing
 internal calibration	 date/time	 weighing speed selection	 density measurement
 GLP compatibility	 printout config.	 threshold/selection	 force measurement
	 pieces counting	 max weight	 recipe
	 percentage	 min weight	 statistics
	 summation	 Alibi memory	

### Optional extras



Under hook weighing

Protective cover

Glass draft shield

ACA hydro set

under-hook weighing

protective cover

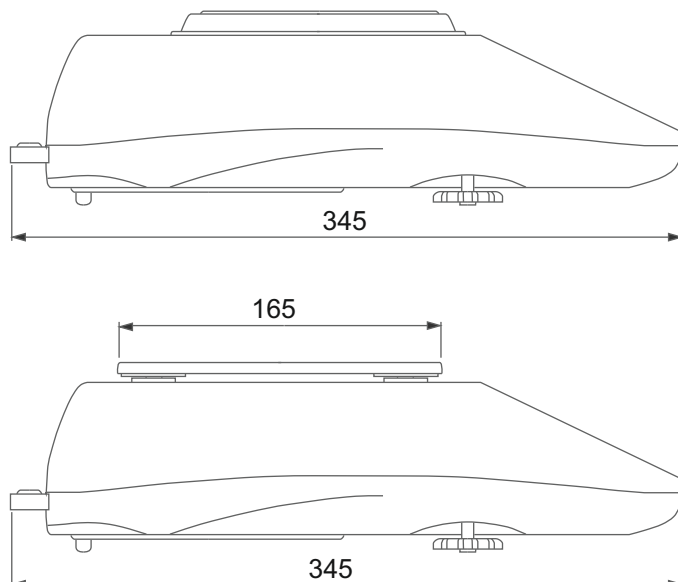
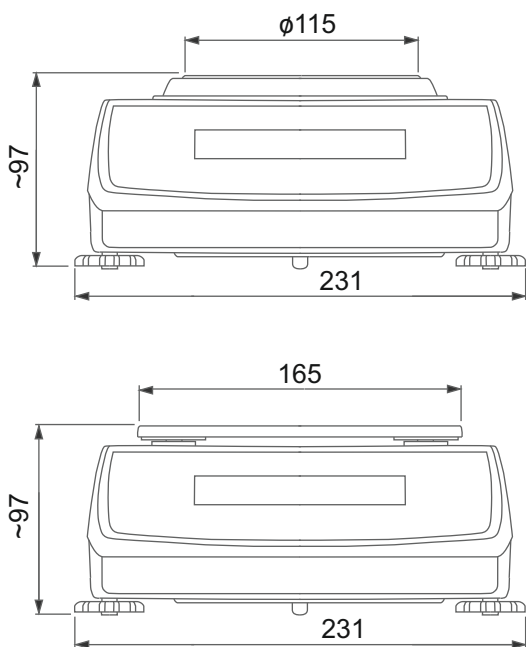
glass draft shield

ACA hydro set to measure density of liquids and solids

USB\_A (for USB flash drive or AXIS printer), LAN or Wi-Fi to work with computer

barcode reader interface (RS232C+supply)

computer software : Statistics <sup>freeware</sup>, Communication <sup>freeware</sup> - saving to file, ProCell - export to Excel



## Technical data

Balances with int. calib.	<b>ACA1020</b>		<b>ACA6200</b>	
Balances without int. calib.	<b>ACZ1020</b>		<b>ACZ6200</b>	<b>ACZ10</b>
Capacity (Max)	1020g		6200g	10000g
Reading unit (d)	0,001g		0,01g	0,1g
Verification unit (e)	0,01g		0,1g	-
Tare range	-1020g		-6200g	-10000g
Accuracy class	II			
Repeatability	0,001g		0,02g	0,1g
Linearity	± 0,002g		± 0,02g	± 0,1g
Working temperature	+10 ÷ +40°C			
Weighing time	<3s			
Pan size	φ115mm	165x165mm	195x195mm	180x180mm
Display	LCD digits height 18mm			
Dimensions (with legs)	231x345x97mm			
Interfaces	RS232, USB-B options: USB_A, LAN or Wi-Fi			
Units	mg, g, kg, ct, lb, oz, ozt, gr, dwt			
Power supply	~230V 50Hz 9VA / =12V 1,2A			
Balance weight	4kg			
Recommended std. of mass	E2 1000g		F1 5000g	F1 10000g

Balances with verification option **M**