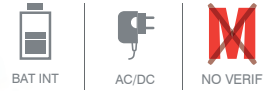


Crane scale

Crane scale with capacities from 1000 kg to 5000 kg. The crane scale has a rotation of 360°

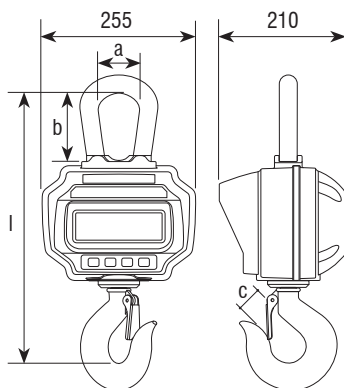


FEATURES:

- Crane scale with an aluminum housing.
- LED display with digits of 35mm.
- Crane scale scale with a rotation of 360°.
- It can be used in dusty environments.
- Power supply with adaptor AC/DC 230-240Vac 50Hz.
- Interior rechargeable battery 6V/4,5 Ah. It lasts 60 hours.
- External charge with charge signal.
- Low battery sign.
- Control of functions, calibration and switch off through remote control.
- Calibration via remote control.
- Maximum distance from the remote control: 10m.
- Units: kg and lb.
- Standby function and auto switch off.
- According to the directive of security of the machine 2006/42/CE.

FUNCTIONS:

- Accumulation
- Zero
- Tare
- Hold (to set weigh)



Dimensions (mm)	a	b	c	l	Net weight (kg)
260544	68	112	35	420	11.0
260545	68	112	40	420	11.0
260546	68	112	45	450	12.5

Code #	Capacity (kg)	Readout (kg)	n Divisions	Packing dimensions (mm)	Packing weight (kg)
260544	1000	500	2000	590x320x280	14,5
260545	3000	1000	3000	590x320x280	14,5
260546	5000	2000	2500	590x320x280	14,5

Certifications	
ENAC	
Code #	
900003	
900004	
900045	