

Brecknell

DS1000-LCD

Floor Scale



Shown with optional indicator stand

DS1000-LCD Drum Weigher Scale is ideal for any busy shipping area where goods are constantly being moved around by pallet trucks or monitoring drum weights.

This low profile deck design provides a gradual 9% entry and exit ramp making it very easy to roll drums on and off the scale .

Comes stranded with a simple to use pre-calibrated indicator with a large 38 mm / 1.5" LCD back-lit display making it ideal to use in any low lit corner of an warehouse.



Accuracy

Within 0.1%



Capacity

500 kg x 0.2 kg / 1000 lb x 0.5 lb



Power

9V 600mA universal power supply with USA/UK/EU adapters (included) or six AA batteries (not included)



Display

Six large, easy-to-read 38 mm / 1.5" high digits, large seven segment LCD with white backlight



Construction

Powder coated rugged smooth steel deck structure and built-in ramps, fitted with two handles and wheels to easily relocate. Robust ABS plastic indicator with bench or pole brackets for mounting.



Operator Keys

On/Off/Zero, Tare, Unit, Print, Hold, Accumulate/Total

VALUE IN
WEIGHING

DS1000-LCD Floor Scale

SBI 210 Indicator Specifications

Construction: Robust ABS housing

Annunciators: -0-, motion, gross, net, tare, hold, pcs, %, HI/OK/LOW, battery, accumulation

Units: kg, lb, pcs, %

Tare: 100% subtractive. Ideal when filling to a set recipe.

Check Weighing: Used when packing or filling to a set weight. This provides the operator a fast & simple visual to let them know the product is within the accepted weight window.

Counting: Used for stock control or to quickly work out the quantity of items within a box

Accumulation: Used when packing multiple items into one consignment to get the final consignment weight total

Hold: Allows a stable weight to be easily held once the goods have been removed from the scale

Percentage: Allows the operator to easily carry out weightments on % basis

Indicator Mounting: Can be desk mounted or pole mounted either vertically or horizontally

Display: Large, easy-to-read six digit 38 mm / 1.5" high digit LCD with backlight

Power: 9V 600mA, 110-230V switch mode external power supply with USA/UK/EU interchangeable plug adapters or six AA batteries (not included)

Built-in Power Saving Features: Subject to how the scale is to be used, there are a number of ways to prolong the battery life of this scale. From turning off the backlight to setting the auto-off to engage when the scale is not in use.

Communication: One USB (VCP) and one RS-232 bi-directional full duplex port. Optional COM cables.

Print Format: Configurable

Calibration: Front panel calibration

Indicator Packing: Comes packed within the base packing box

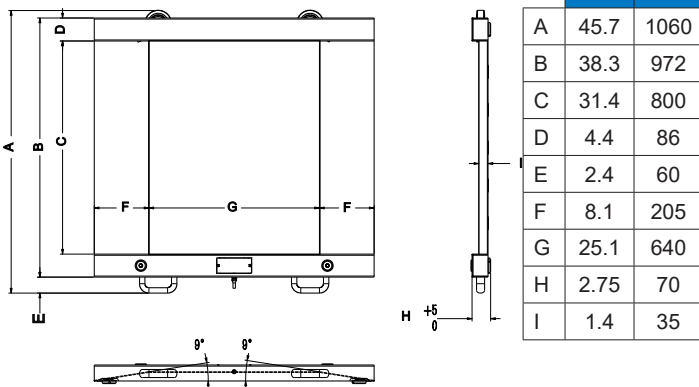
Operating Temperature:
-10° C to 40° C / 14° F to 104° F

DS1000-LCD Floor Specifications

Capacity: 500 kg x 0.2 kg / 1000 lb x 0.5 lb

Construction: Heavy duty welded channel support with powder coat paint for corrosion protection, adjustable locking feet, two handles and wheels

Product Dimension:



Load Cells: 4-planner beam load cells connect to the ABS junction box with 3 m / 10' interface cable

Ramp: Designed with built-in 9 degree gradual angle to make entry and exit safe and easy

Product Weight: 47 kg / 103.4 lb

Packaging Dimension (L x W x H):
1210 mm x 1200 mm x 205 mm
47.6" x 47.2" x 8.0"

Shipping Weight: 48.5 kg / 106.7 lb

Packaging Contents: DS1000-LCD platform, indicator, power supply with UK/EU/USA plugs and indicator desk and pole mounting brackets

Certifications: FCC compliant, Prop 65, UL/CUL power adapter, UKCA, CE, RoHS 3, WEEE

Options: Indicator floor stand, guard rail kit

Brecknell

www.brecknellscales.com

www.brecknellscales.co.uk

Part of Avery Weigh-Tronix